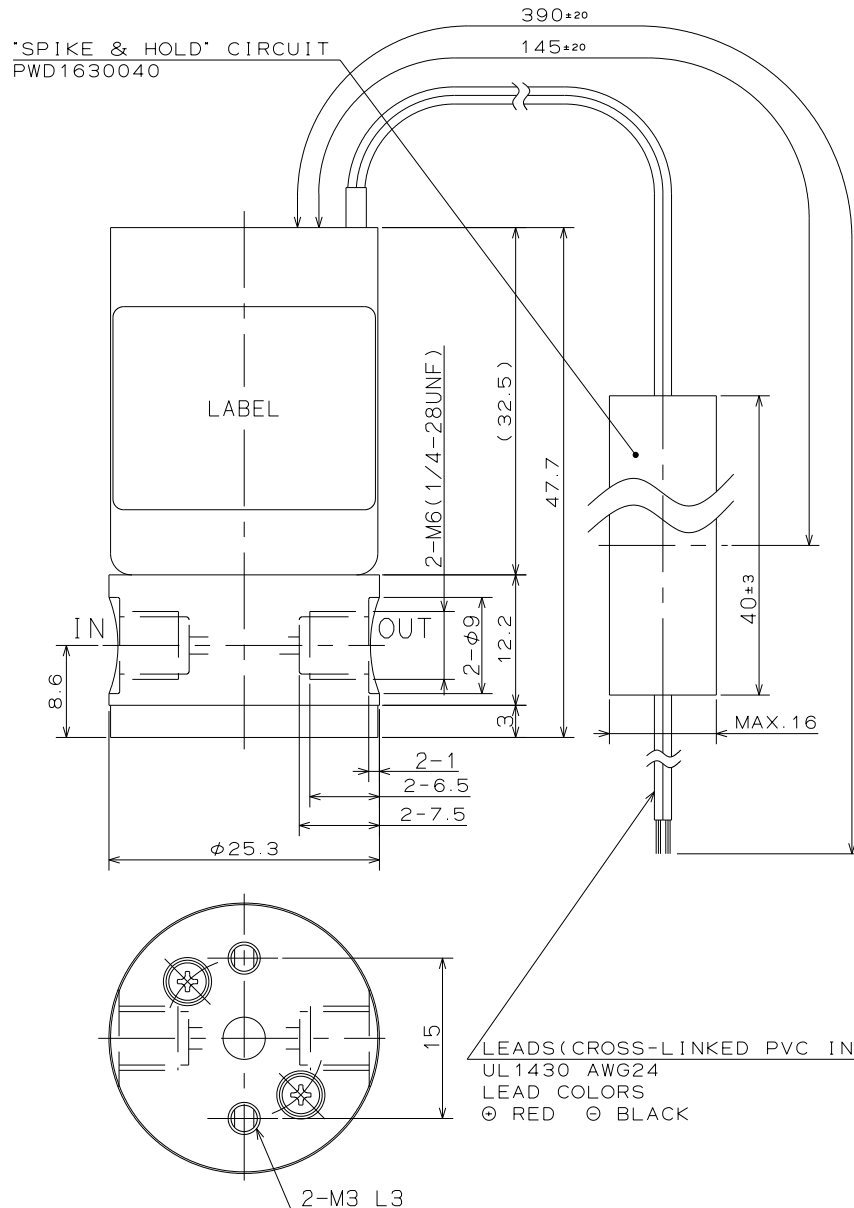


FOR REFERENCE ONLY

SOLENOID VALVE

SPECIFICATIONS FOR MODEL MTV-2A-M6(1/4U)GHT



- ORIFICE DIAMETER : 1.6mm
- PORT CONNECTION : M6, 1/4-28UNF
- OPERATING PRESSURE RANGE : IN 0 ~ 1500kPa (0 ~ 15bar)
- OUT 0 ~ 100kPa (0 ~ 1bar)
- FLUID MEDIA : FLUIDS CHEMICALLY COMPATIBLE WITH MATERIALS BELOW
- MEDIA TEMPERATURE RANGE : 5 ~ 175°C
- AMBIENT TEMPERATURE RANGE : 5 ~ 40°C
- RATED VOLTAGE : 12VDC, 24VDC
- POWER CONSUMPTION : 17.6W(INRUSH)* 2.9W(HOLDING)
- DUTY CYCLE : CONTINUOUS
- INSULATION CLASS : CLASS H
- DIELECTRIC STRENGTH : 1500VAC FOR 60s

NOTE
 A) THIS PRODUCT CARRIES A CIRCUIT THAT CONTROLS THE VOLTAGE BY TIMER. IT IS NOT RECOMMENDABLE TO RUN THE ON/OFF CYCLES AT OVER 0.5Hz(DUTY CYCLE 40%). THE LEAD WIRES SHOULD BE CONNECTED IN ORDER TO OPERATE THE VALVE PROPERLY : THE RED LEAD TO POSITIVE AND THE BLACK LEAD TO NEGATIVE.

*: INRUSH TIME IS 300ms±10% FROM ENERGIZING

B) PLEASE TEST THE PRODUCT THOROUGHLY BEFORE THE INSTALLATION.

C) PLEASE USE THE "SPIKE & HOLD" CIRCUIT AT LESS THAN 70°C AMBIENT TEMPERATURE.

MODEL NUMBER	PORT CONNECTION
MTV-2A-M6GHT	M6
MTV-2A-1/4UGHT	1/4-28UNF

LEADS(CROSS-LINKED PVC INSULATED WIRES)
 UL1430 AWG24
 LEAD COLORS
 ⊕ RED ⊖ BLACK

WETTED MATERIALS

△							
△			3	DIAPHRAGM	PFA	1	
△			2	SOFT SEAL	DAIEL™ PERFLUOR	1	
SYM.	DATE	DESCRIPTION	1	VALVE BODY	PFA	1	
REVISION			PART NO.	PART NAME	MATERIAL	REQD.	NOTE
SCALE	APPROVED	CHECKED	DRAWN		DRAWING NO		
2/1		A. Tada	yy		SOLENOID VALVE		
A 3		T. Sakurai	J. Yamada		MTV-2A-M6(1/4U)GHT		17223-00-S