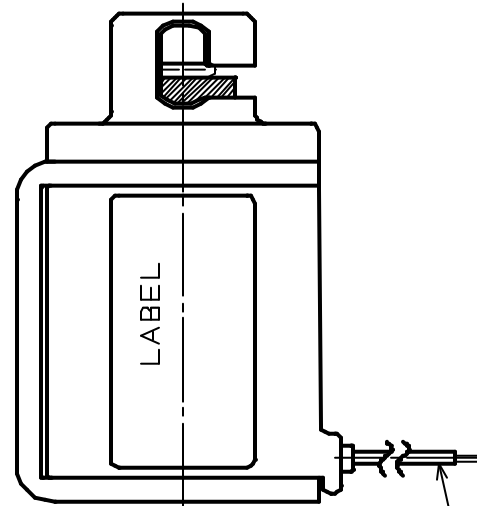
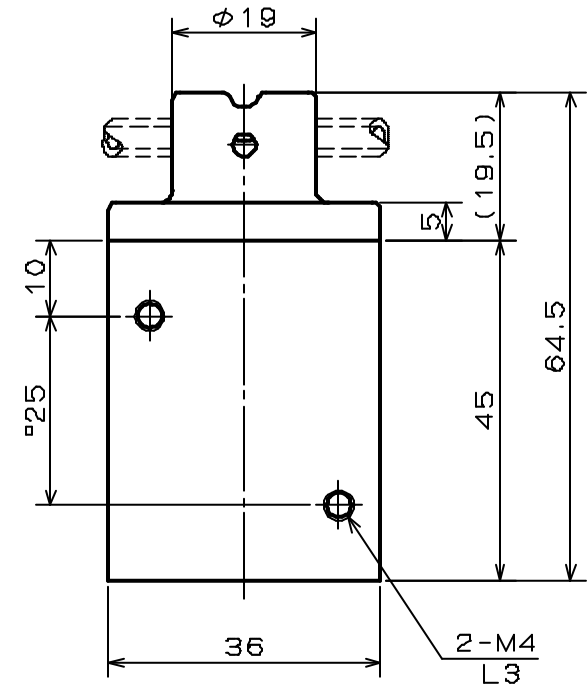
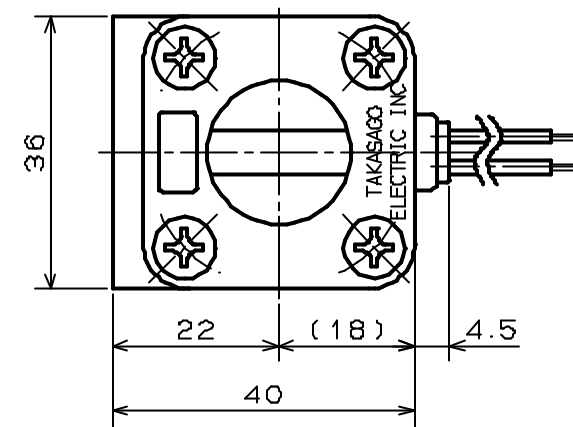


FOR REFERENCE ONLY

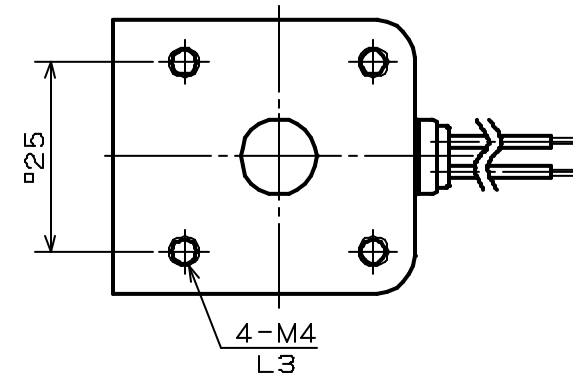
PINCH VALVE

SPECIFICATIONS for MODEL NP-0305-NC

- TUBE DIAMETER : I.D. 3mm O.D. 5mm
- TUBE MATERIAL : SILICONE
- OPERATING PRESSURE RANGE : 0 ~ 50kPa
- AMBIENT TEMPERATURE RANGE: 0 ~ 40°C
- RATED VOLTAGE : 12VDC, 24VDC, 90VDC
100VAC 200VAC (SILICON RECTIFIER ATTACHED)
- POWER CONSUMPTION : 10W
- DUTY CYCLE : CONTINUOUS
- COIL TEMPERATURE INCREASE: MAX. 90°C FROM ROOM TEMPERATURE
- INSULATION CLASS : CLASS B
- DIELECTRIC STRENGTH : 1500VAC FOR 60s



LEAD WIRES (RAD WIRE V)
AWG22 UL1430 L300



| | | | | |
|---|---------------|------------|---|--------------|
| 8 | PINCH RUBBER | SILICONE | 1 | |
| 7 | PLUNGER | K-M31 | 1 | |
| 6 | TUBE HOLDER | PPO | 1 | |
| 5 | COIL ASSEMBLY | SPS-MOLDED | 1 | |
| 4 | SPRING | SUS304WPB | 1 | |
| 3 | SEAMLESS PIPE | SUS304 | 1 | |
| 2 | FRAME | SPCC | 1 | ZINC PLATING |
| 1 | POLE PIECE | K-M31 | 1 | |

| SYM. | DATE | DESCRIPTION | PART NO. | PART NAME | MATERIAL | REQD. | NOTE |
|----------|----------|-------------|-------------|-----------|----------|---------------|------|
| △ | | | | | | | |
| △ | | | | | | | |
| △ | | | | | | | |
| REVISION | | | PART NAME | | MATERIAL | | NOTE |
| SCALE | APPROVED | CHECKED | DRAWN | | | DRAWING NO | |
| 1/1 | | | PINCH VALVE | | | 805043-00-0-S | |
| A 3 | | | NP-0305-NC | | | | |