

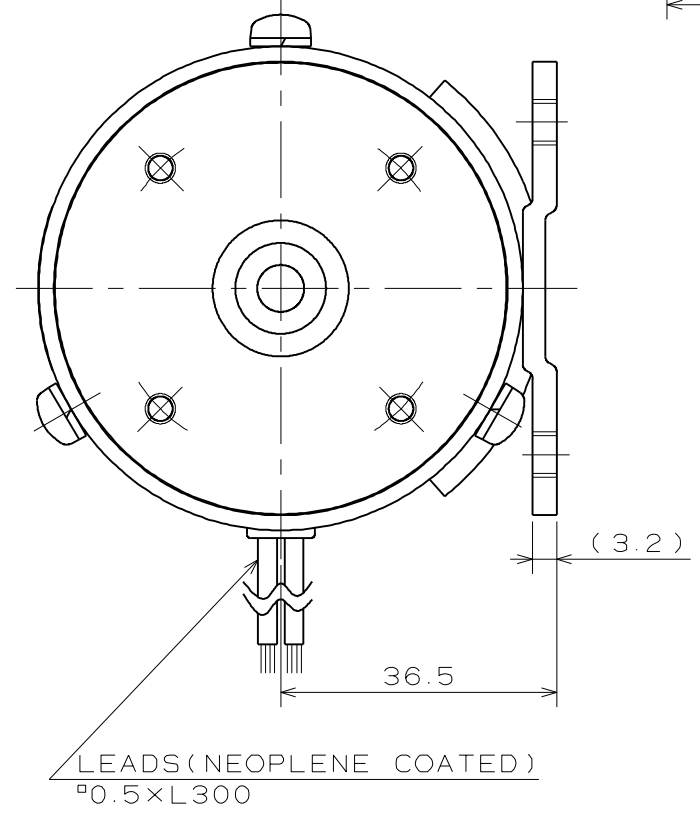
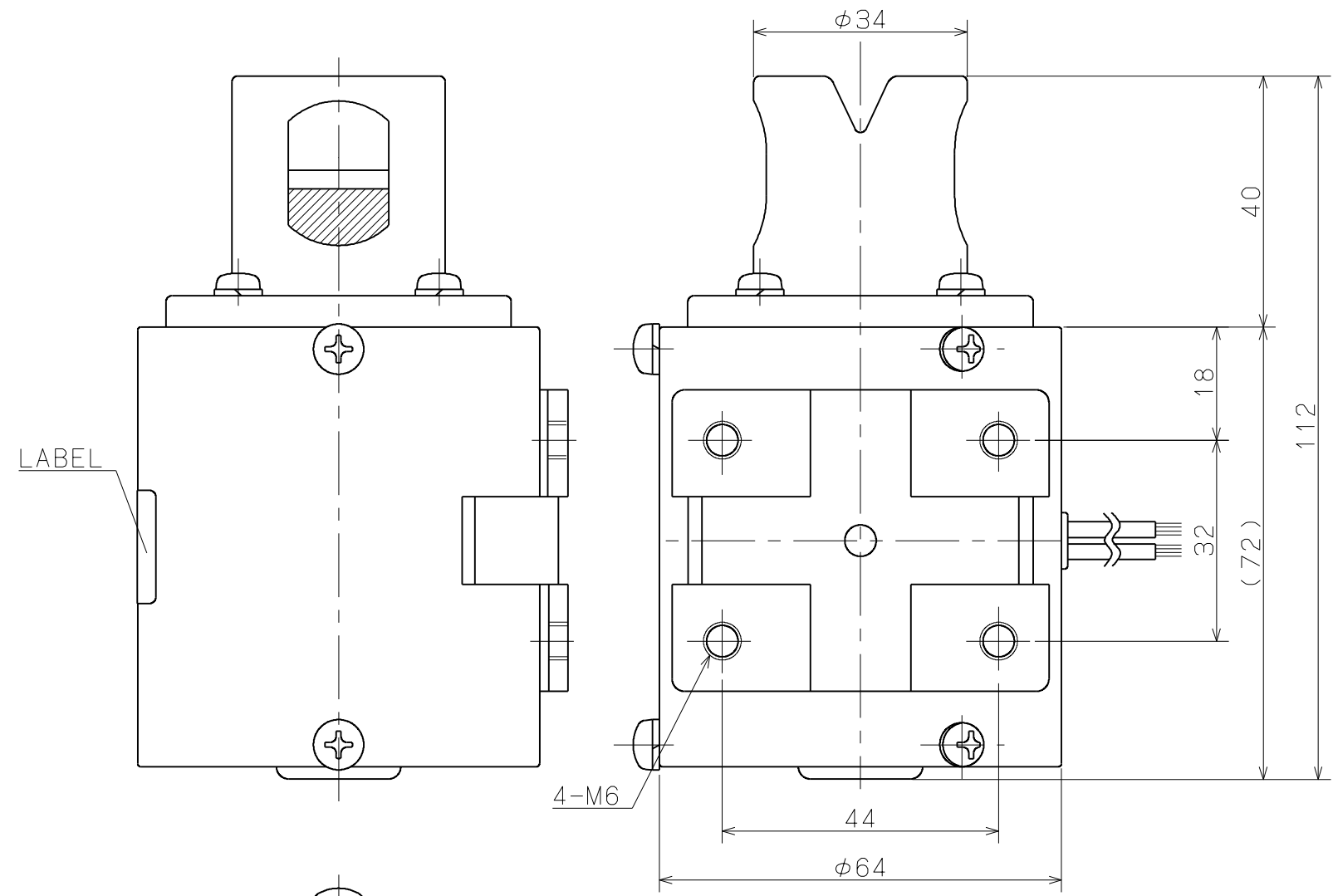
FOR REFERENCE ONLY

PINCH VALVE

SPECIFICATIONS for MODEL EPK-1005-NC

- TUBE DIAMETER : I.D. 10mm O.D. 13mm
- TUBE MATERIAL : SILICONE
- OPERATING PRESSURE RANGE : 0 ~ 50kPa
- AMBIENT TEMPERATURE RANGE : -10 ~ 40°C
- RATED VOLTAGE : 12, 24, 90, 180VDC
100, 110, 200, 220VAC, 230VAC
(WITH SILICON RECTIFIER)
- POWER CONSUMPTION : 60W(12VDC, 24VDC, 90VDC, 100VAC)
68W(110VAC)
66W(180VDC, 200VAC)
71W(220VAC)
73W(230VAC)
- *DUTY CYCLE : INTERMITTENT
ED=10% MAXIMUM ON TIME 5min
(AT RATED VOLTAGE)
- INSULATION CLASS : CLASS B
- DIELECTRIC STRENGTH : 1500VAC FOR 60s

NOTE
THE SPECIFICATIONS MARKED WITH * ARE PROVISIONAL
UNTIL VERIFIED BY PROTOTYPES.



10	RING CORE B	SS400	1	COATED
9	POLE PIECE	SUM22	1	COATED
8	SPRING	SUS304WPB	1	
7	BONNET	STKM13C	1	COATED
6	COIL		1	
5	PLUNGER	SS400	1	COATED
4	PLUNGER GUIDE	SUS304	1	
3	RING CORE A	SS400	1	COATED
2	PINCHING HEAD	NBR	1	
1	TUBE HOLDER	PPO	1	

SYMBOL	DATE	DESCRIPTION	PART NO.	PART NAME	MATERIAL	REQD.	NOTE
△							
△							
△							
REVISION				PART NAME		MATERIAL	
SCALE	APPROVED	CHECKED	DRAWN	PINCH VALVE			DRAWING NO
1/1				EPK-1005-NC			985063-00-S
A 3							