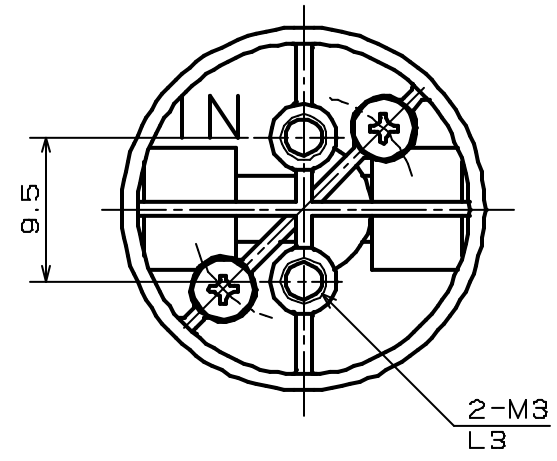
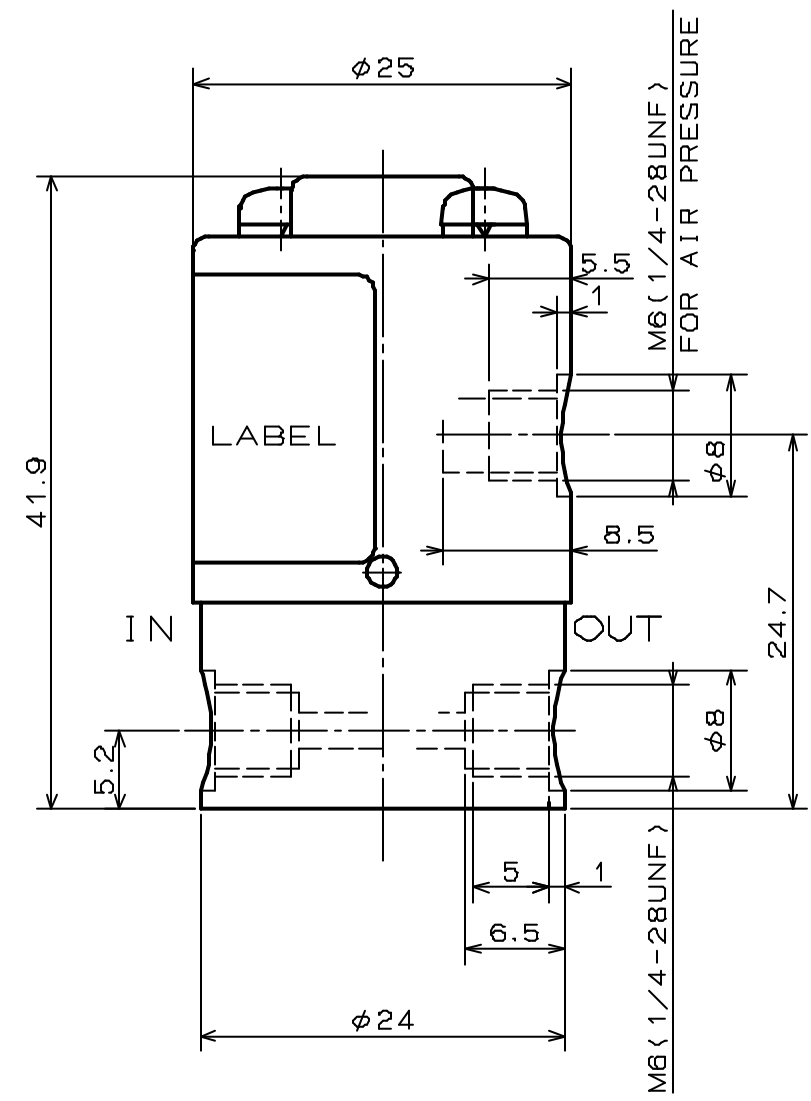


FOR REFERENCE ONLY



PNEUM CLEAN VALVE

SPECIFICATIONS FOR MODEL PMDP-2O-M6(1/4U)G

- ORIFICE DIAMETER : 2mm
- PORT CONNECTION : M6, 1/4-28UNF
- OPERATING PRESSURE RANGE : IN -100 ~ 500kPa
OUT 0 ~ 300kPa
- FLUID MEDIA : FLUIDS CHEMICALLY COMPATIBLE WITH MATERIALS BELOW
- MEDIA TEMPERATURE RANGE : 5 ~ 60°C
- AMBIENT TEMPERATURE RANGE : 5 ~ 60°C
- AIR PRESSURE FOR ACTUATION : 300 ~ 600kPa
- PORT CONNECTION FOR AIR PRESSURE: M6, 1/4-28UNF

MODEL NUMBERS

MODEL NUMBER	BODY MATERIAL	PORT CONNECTION	PORT CONNECTION FOR AIR PRESSURE
PMDP-2R-M6G	PPS	M6	M6
PMDP-2R-1/4UG	PPS	1/4-28UNF	1/4-28UNF
PMDP-2K-M6G	PEEK	M6	M6
PMDP-2K-1/4UG	PEEK	1/4-28UNF	1/4-28UNF

WETTED MATERIALS

PART NAME	MATERIAL	REQD.	NOTE
DIAPHRAGM	PTFE	1	
SOFT SEAL	DAI EL PERFLUOR	1	
VALVE BODY	PPS/PEEK	1	

PNEUM CLEAN VALVE
PMDP-2O-M6(1/4U)G