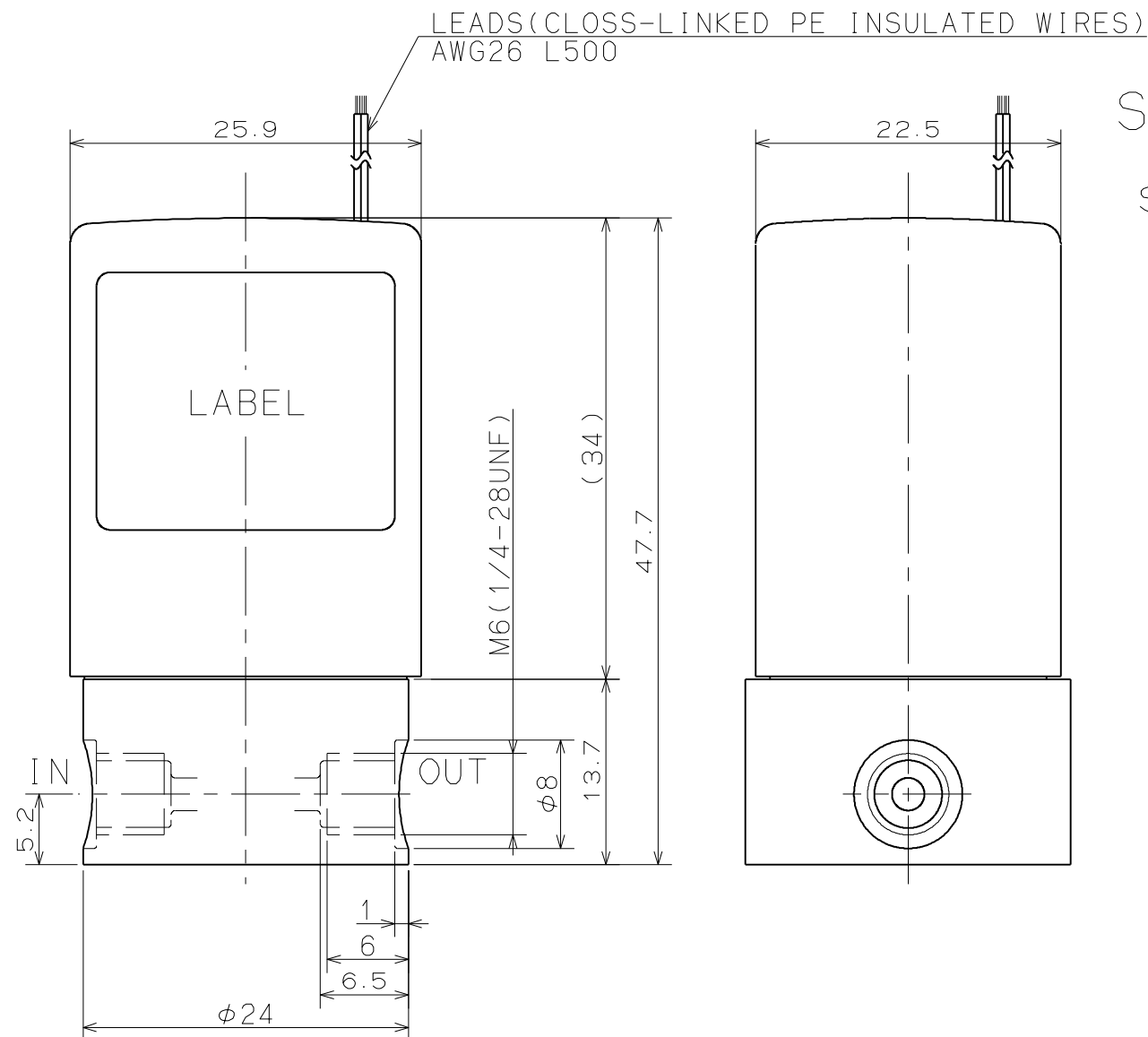


FOR REFERENCE ONLY



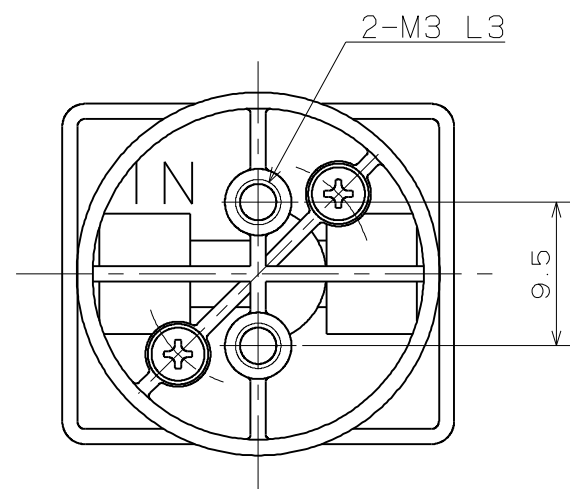
SOLENOID VALVE

SPECIFICATIONS for MODEL WTA-2R(K)-M6(1/4U)F

- ORIFICE DIAMETER : 2mm
- PORT CONNECTION : M6, 1/4-28UNF
- OPERATING PRESSURE RANGE : IN -90 ~ 200kPa
{-675mmHg ~ 2bar}
- OUT 0 ~ 100kPa
{0 ~ 1bar}
- FLUID MEDIA : FLUIDS CHEMICALLY COMPATIBLE WITH MATERIALS BELOW
- MEDIA TEMPERATURE RANGE : 5 ~ 50°C
- AMBIENT TEMPERATURE RANGE : 5 ~ 50°C
- RATED VOLTAGE : 5VDC, 12VDC, 24VDC
100VAC(50/60Hz) SILICON RECTIFIER ATTACHED
- POWER CONSUMPTION : 2.8W
- DUTY CYCLE : CONTINUOUS
- COIL TEMPERATURE INCREASE : MAX. 65°C FROM ROOM TEMPERATURE
- INSULATION CLASS : CLASS E
- DIELECTRIC STRENGTH : 1000VAC FOR 60s

NOTE

MODEL NUMBER	BODY MATERIAL	PORT CONNECTION
WTA-2R-M6F	PPS	M6
WTA-2R-1/4UF	PPS	1/4-28UNF
WTA-2K-M6F	PEEK	M6
WTA-2K-1/4UF	PEEK	1/4-28UNF



WETTED MATERIALS

△							
△			3	DIAPHRAGM	PTFE	1	
△			2	SOFT SEAL	FPM	1	
SYM.	DATE	DESCRIPTION	1	VALVE BODY	PPS/PEEK	1	
REVISION			PART NO.	PART NAME	MATERIAL	REQD.	NOTE
SCALE	APPROVED	CHECKED	DRAWN	SOLENOID VALVE		DRAWING NO	
2/1				WTA-2R(K)-M6(1/4U)F		02200-00-S	
A 3							