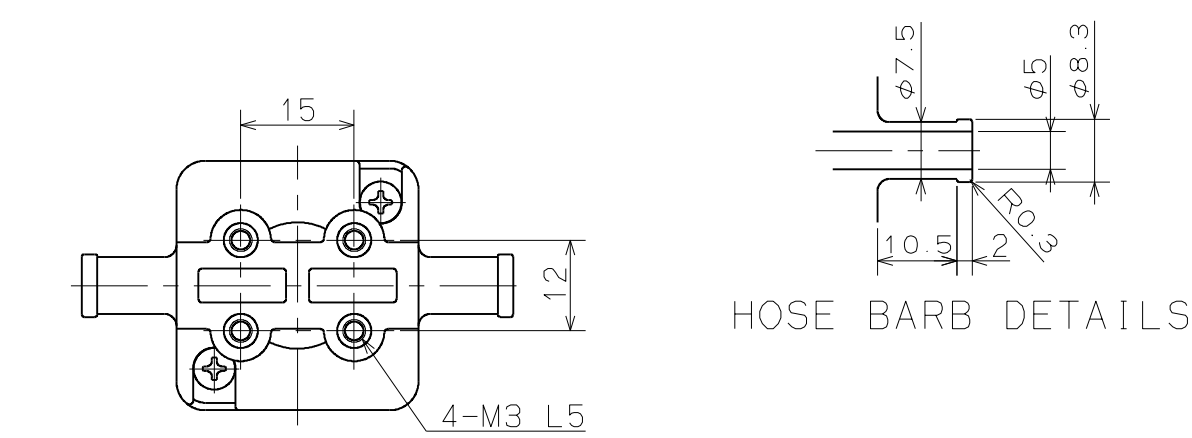
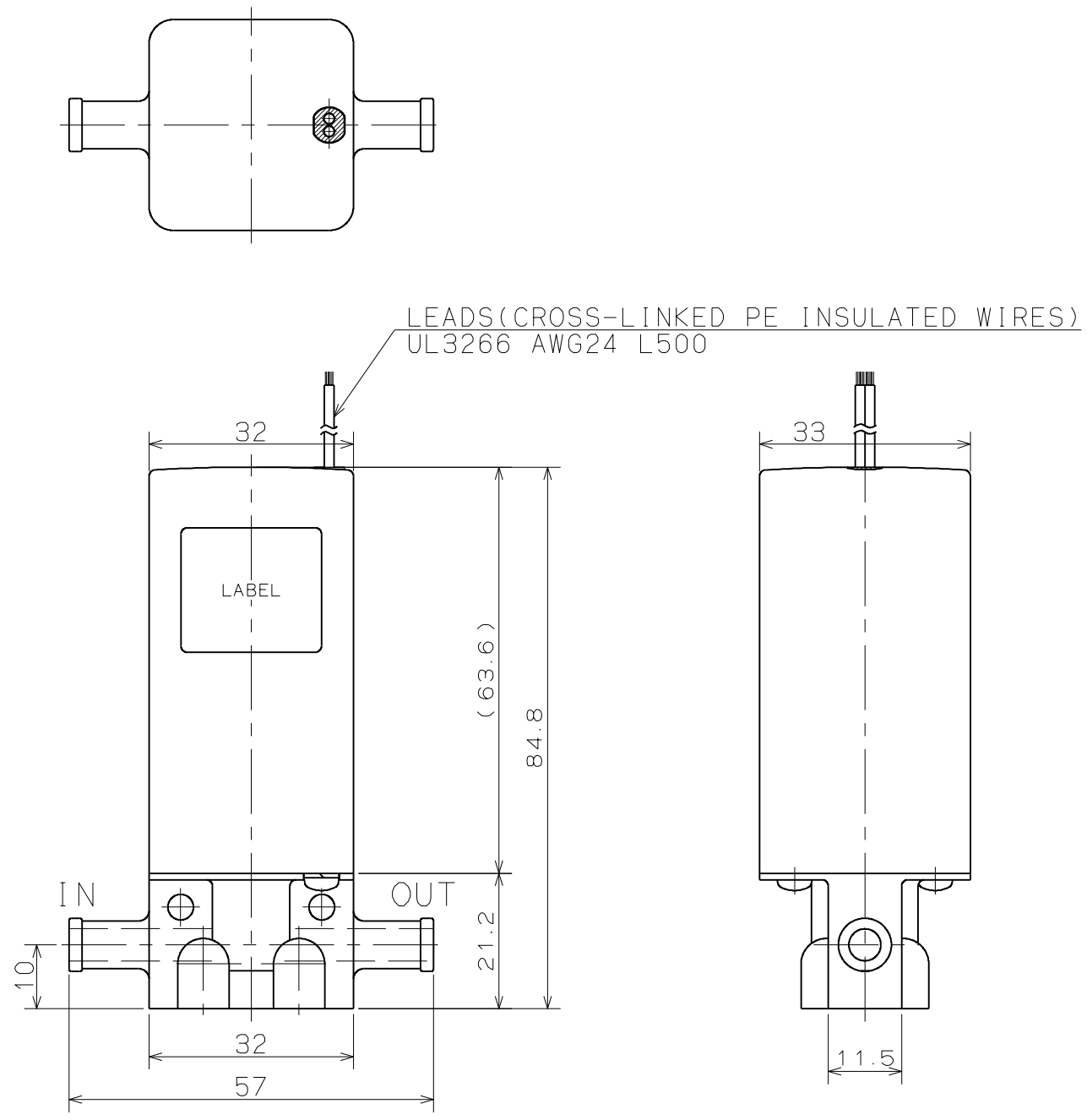


FOR REFERENCE ONLY

SOLENOID VALVE

SPECIFICATIONS for MODEL WBV-2R-N1E-1

- ORIFICE DIAMETER : 4mm
- PORT CONNECTION : HOSE BARB
- OPERATING PRESSURE RANGE : -90 ~ 200kPa
{ -675mmHg ~ 2bar }
- FLUID MEDIA : FLUIDS CHEMICALLY COMPATIBLE WITH MATERIALS BELOW
- MEDIA TEMPERATURE RANGE : 0 ~ 60°C
- AMBIENT TEMPERATURE RANGE : 0 ~ 50°C
- RATED VOLTAGE : 12VDC, 24VDC
- POWER CONSUMPTION : 5.8W
- DUTY CYCLE : CONTINUOUS
- COIL TEMPERATURE INCREASE : MAX. 70°C FROM ROOM TEMPERATURE
- INSULATION CLASS : CLASS E
- DIELECTRIC STRENGTH : 1000VAC FOR 60s



WETTED MATERIALS

SYMBOL	DATE	DESCRIPTION	PART NO.	PART NAME	MATERIAL	REQD.	NOTE
△			2	DIAPHRAGM	EPDM	1	
△			1	VALVE BODY	PPS	1	
REVISION			PART NO.	PART NAME	MATERIAL	REQD.	NOTE
SCALE	APPROVED	CHECKED	DRAWN			DRAWING NO	
1/1		A. Tada	y. Yamada			SOLENOID VALVE WBV-2R-N1E-1	
A 3						14164-00-S	