

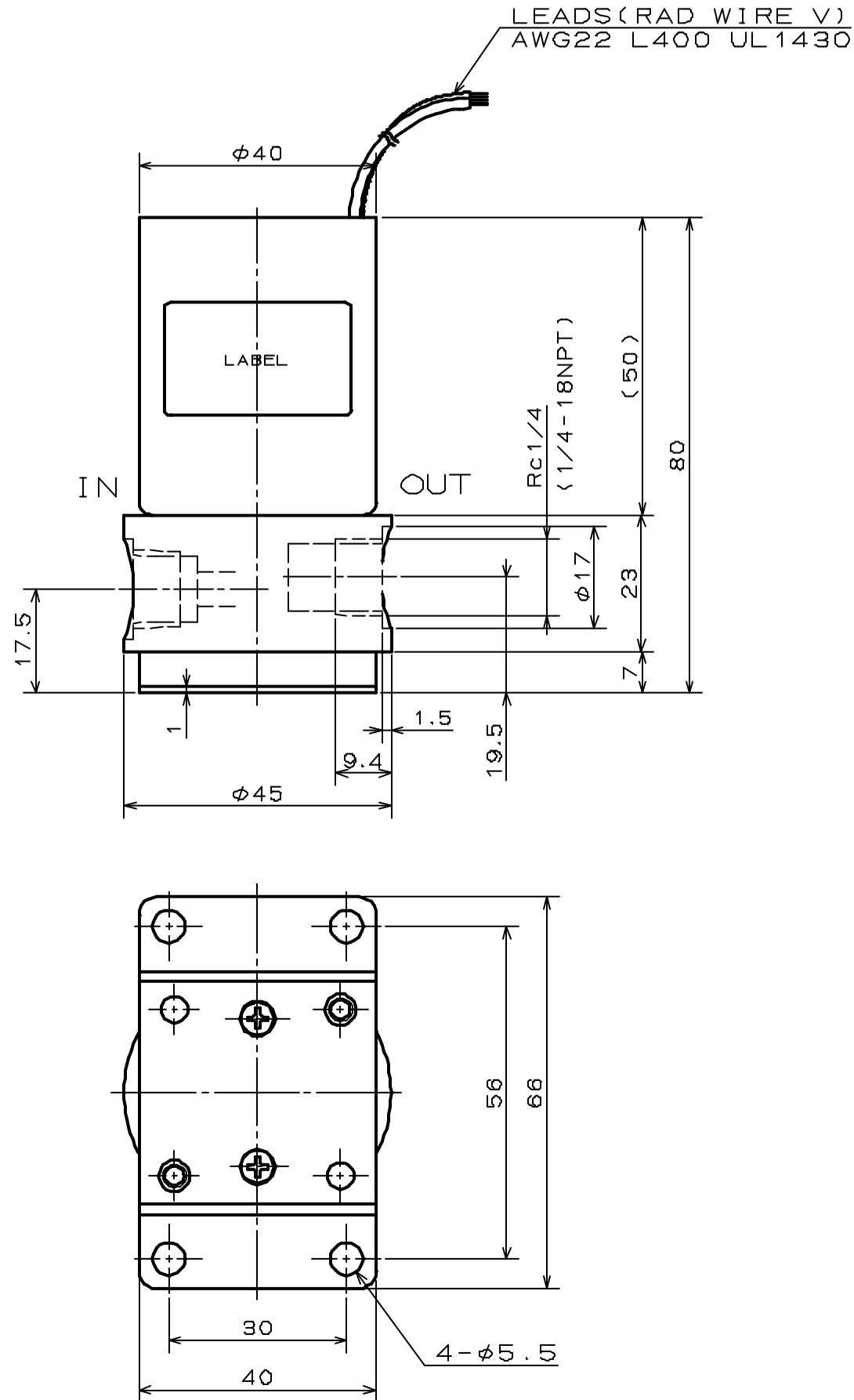
FOR REFERENCE
ONLY

SOLENOID VALVE

SPECIFICATIONS for MODEL NRV-6C2(N)

- ORIFICE DIAMETER : 6mm
- PORT CONNECTION : Rc1/4 (1/4-18NPT)
- OPERATING PRESSURE RANGE : IN -93 ~ 200kPa
[-700mmHg ~ 2bar]
- OUT 0 ~ 50kPa
{ 0 ~ 0.5bar }
- FLUID MEDIA : FLUIDS CHEMICALLY COMPATIBLE
WITH MATERIALS BELOW
- MEDIA TEMPERATURE RANGE : 0 ~ 60°C
- AMBIENT TEMPERATURE RANGE : 0 ~ 60°C
- RATED VOLTAGE : 12VDC, 24VDC, 90VDC,
100VAC(SILICON RECTIFIER ATTACHED)
230VAC(SILICON RECTIFIER ATTACHED)
- POWER CONSUMPTION : 5.5W
- OPERATING DURATION : CONTINUOUS DUTY
- COIL TEMPERATURE INCREASE : MAX. 60°C FROM ROOM TEMPERATURE
- INSULATION CLASS : CLASS E
- DIELECTRIC STRENGTH : 1500VAC FOR 60s
- NOTE :

MODEL NUMBER	PORT CONNECTION
NRV-6C2	Rc1/4
NRV-6C2N	1/4-18NPT



WETTED MATERIALS

△							
△							
△				2	DIAPHRAGM	PTFE	1
△				1	VALVE BODY	PTFE/HPVC	1
SYM.	DATE	DESCRIPTION	PART NO.	PART NAME	MATERIAL	REQD.	NOTE
SCALE	APPROVED	CHECKED	DRAWN	SOLENOID VALVE			DRAWING NO
1/1				NRV-6C2(N)			894100-00-0-S
A 3							