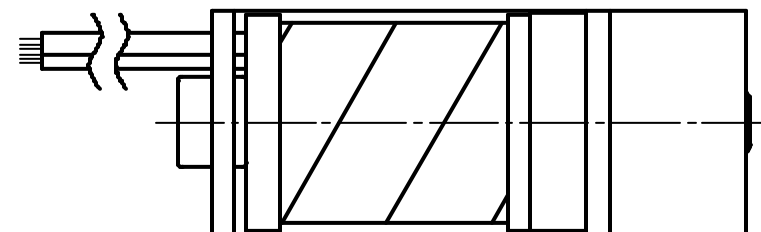
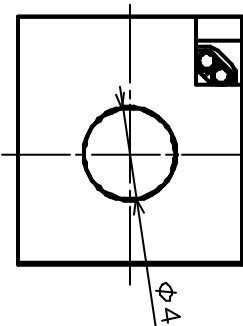
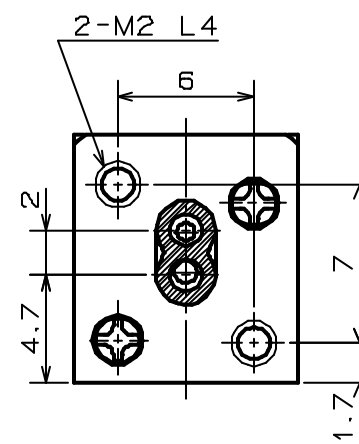
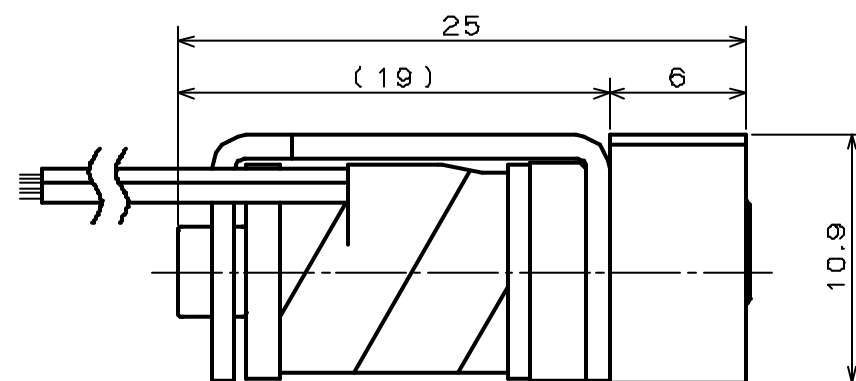
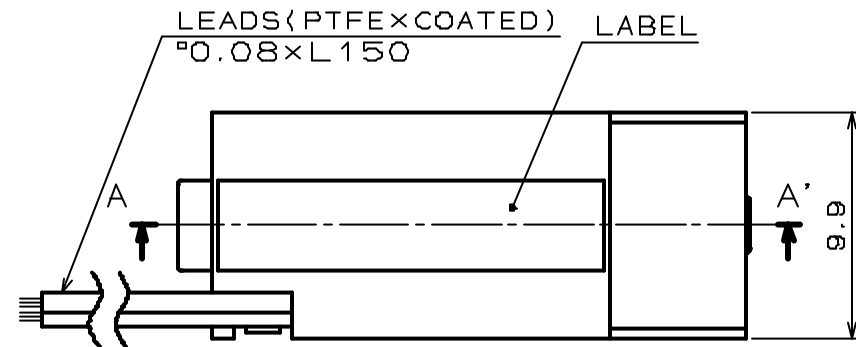


FOR REFERENCE ONLY

# SOLENOID VALVE

## SPECIFICATIONS for MODEL LV-2-MFF-1

ORIFICE DIAMETER	:	0.8mm
OPERATING PRESSURE RANGE	:	IN      0 ~ 100kPa OUT      0 ~ 50kPa
FLUID MEDIA	:	FLUIDS CHEMICALLY COMPATIBLE WITH MATERIALS BELOW
MEDIA TEMPERATURE RANGE	:	5 ~ 50°C
AMBIENT TEMPERATURE RANGE	:	5 ~ 40°C
RATED VOLTAGE	:	12VDC, 24VDC, 7.2VDC
POWER CONSUMPTION	:	1.8W
DUTY CYCLE	:	CONTINUOUS
COIL TEMPERATURE INCREASE	:	MAX. 90°C FROM ROOM TEMPERATURE
INSULATION CLASS	:	CLASS B
DIELECTRIC STRENGTH	:	1000VAC FOR 60s



### WETTED MATERIALS

△						
△			3	GASKET	FPM	1
△			2	VALVE BODY	PEEK	1
△			1	DIAPHRAGM	FPM	1
<b>SYM.</b>	<b>DATE</b>	<b>DESCRIPTION</b>	<b>PART NO.</b>	<b>PART NAME</b>	<b>MATERIAL</b>	<b>REQD.</b>
<b>SCALE</b>	<b>APPROVED</b>	<b>CHECKED</b>	<b>DRAWN</b>	<b>SOLENOID VALVE</b>		<b>DRAWING NO.</b>
3/1				LV-2-MFF-1		02163-00-S
A 3						