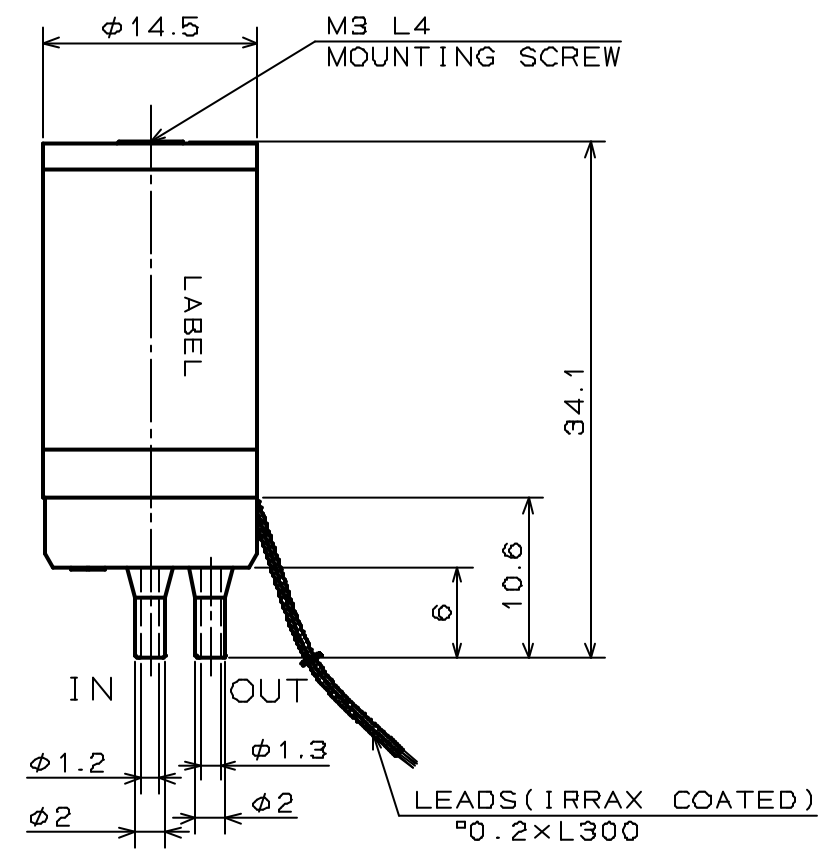


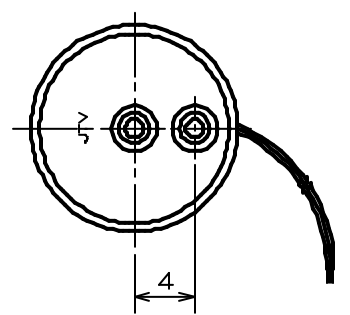
FOR REFERENCE ONLY

SOLENOID VALVE

SPECIFICATIONS FOR MODEL JTV-2



- ORIFICE DIAMETER : 1.2mm
- PORT CONNECTION : HOSE BARB
- OPERATING PRESSURE RANGE : IN 0 ~ 80kPa
{0 ~ 0.8bar}
- OUT 0 ~ 10kPa
{0 ~ 0.1bar}
- FLUID MEDIA : FLUIDS CHEMICALLY COMPATIBLE WITH MATERIALS BELOW
- MEDIA TEMPERATURE RANGE : 0 ~ 40°C
- AMBIENT TEMPERATURE RANGE : 0 ~ 40°C
- RATED VOLTAGE : 5VDC, 12VDC, 24VDC
- POWER CONSUMPTION : 1W
- DUTY CYCLE : CONTINUOUS
- COIL TEMPERATURE INCREASE : MAX. 50°C FROM ROOM TEMPERATURE
- INSULATION CLASS : CLASS E
- DIELECTRIC STRENGTH : 1500VAC FOR 60s



WETTED MATERIALS

SYM.	DATE	DESCRIPTION	PART NO.	PART NAME	MATERIAL	REQD.	NOTE
△			2	DIAPHRAGM	FPM	1	
△			1	VALVE BODY	U-POLYMER ⁸	1	
REVISION		PART NO.		PART NAME		MATERIAL	
SCALE	APPROVED	CHECKED	DRAWN	SOLENOID VALVE			DRAWING NO
2/1				JTV-2			824062-00-0-S
A 3							