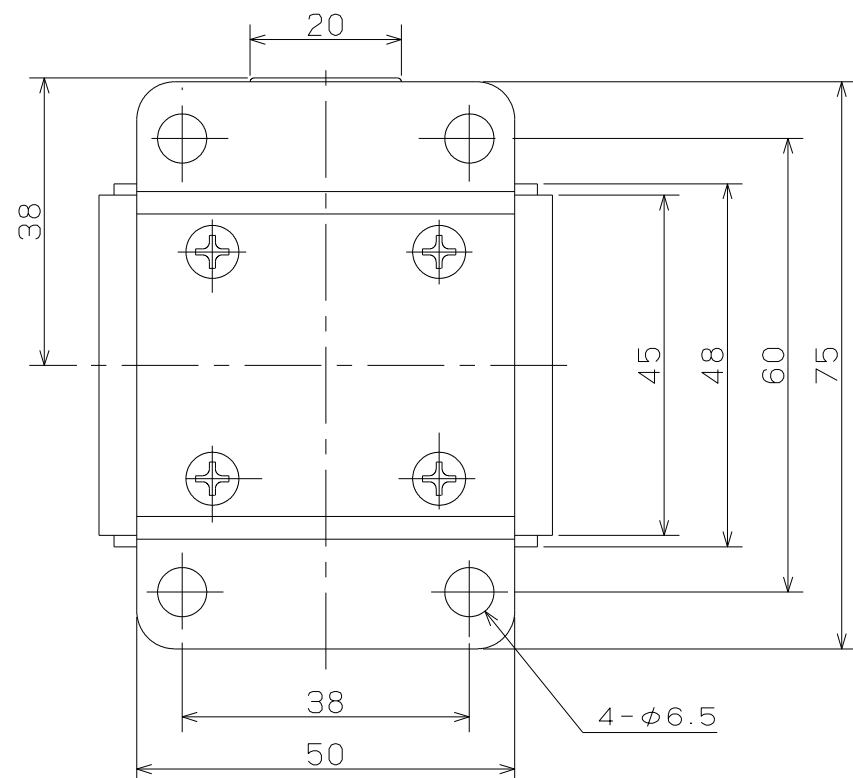
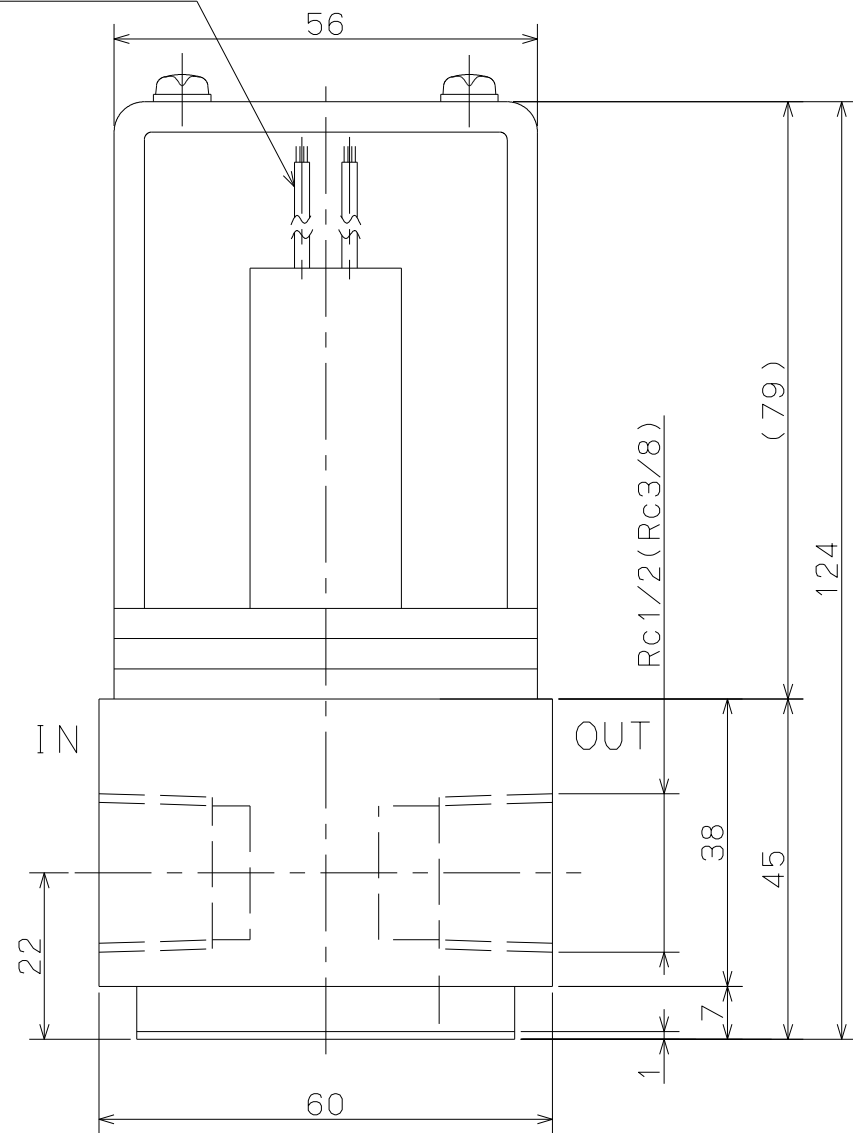


LEADS (NEOPLENE COATED)
φ0.5×L200



FOR REFERENCE
ONLY

SOLENOID VALVE

SPECIFICATIONS FOR HTV-2-3/8, 1/2

- ORIFICE : φ10
- PORT CONNECTION : Rc3/8, Rc1/2
- OPERATING PRESSURE RANGE : IN -90 ~ 200kPa
{-675mmHg ~ 2.0bar}
- OUT 0 ~ 50kPa
{0 ~ 0.5bar}
- FLUID MEDIA : FLUIDS CHEMICALLY COMPATIBLE
WITH MATERIALS BELOW
- MEDIA TEMPERATURE RANGE : 0 ~ 60°C
- RATED VOLTAGE : 12VDC, 24VDC, 90VDC,
100VAC (50/60Hz) SILICON RECTIFIER ATTACHED
- POWER CONSUMPTION : 10W
- OPERATING DURATION : CONTINUOUS DUTY
- INSULATION CLASS : CLASS E
- DIELECTRIC STRENGTH : 1500VAC FOR 60s

NOTE

MODEL NUMBER	PORT CONNECTION
HTV-2-3/8	Rc3/8
HTV-2-1/2	Rc1/2

WETTED MATERIALS

SYM.	DATE	DESCRIPTION	PART NO.	PART NAME	MATERIAL	REQD.	NOTE
△			2	DAIPHGRAM	PTFE	1	
△			1	VALVE BODY	PTFE	1	
REVISION				PART NO.	PART NAME	MATERIAL	REQD.
SCALE	APPROVED	CHECKED	DRAWN	SOLENOID VALVE			DRAWING NO
1/1				HTV-2-3/8, 1/2			764005-00-0-S
A 3							