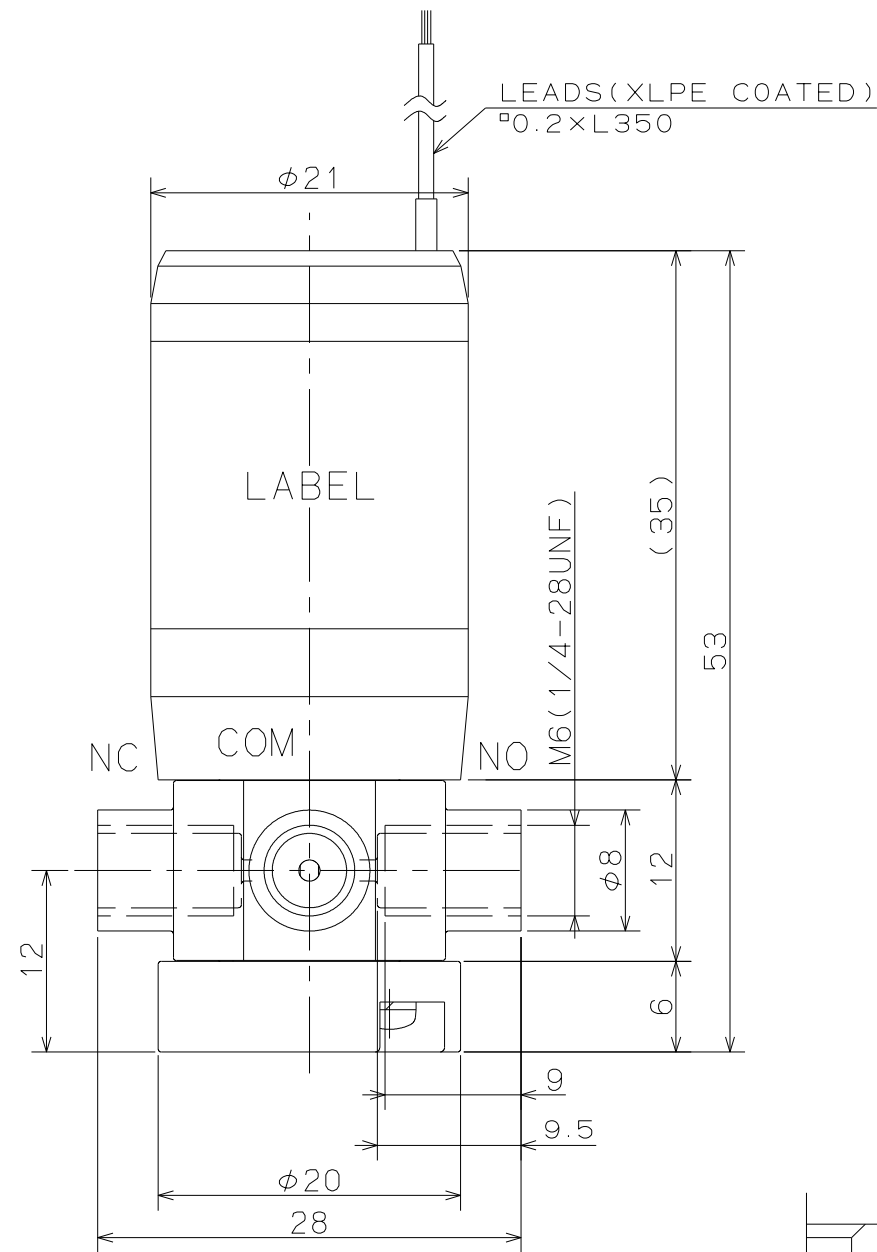


FOR REFERENCE ONLY



SOLENOID VALVE

SPECIFICATIONS for MODEL CTV-3-M6(1/4U)R(K)F-S9

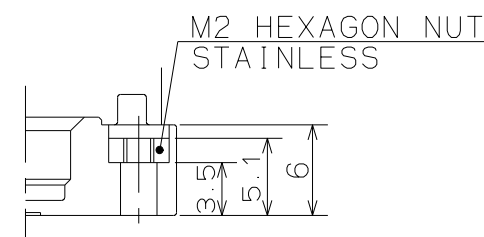
ORIFICE DIAMETER : 1.2mm
 PORT CONNECTION : M6, 1/4-28UNF
 OPERATING PRESSURE RANGE : COM -50 ~ 200kPa
 { -375mmHg ~ 2bar }
 NO, NC 0 ~ 50kPa
 { 0 ~ 0.5bar }

FLUID MEDIA : FLUIDS CHEMICALLY COMPATIBLE WITH MATERIALS BELOW

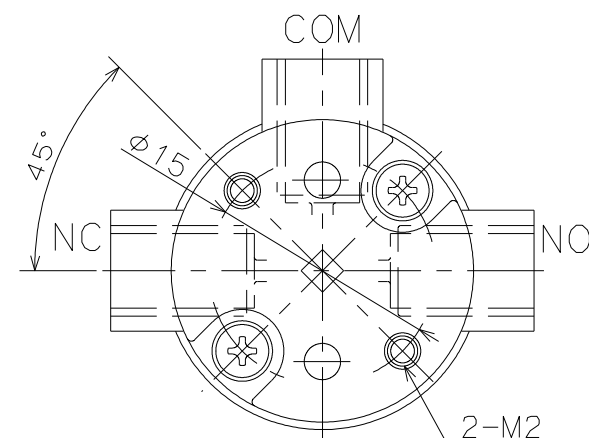
MEDIA TEMPERATURE RANGE : 5 ~ 50°C
 AMBIENT TEMPERATURE RANGE : 5 ~ 50°C
 RATED VOLTAGE : 12VDC, 24VDC
 POWER CONSUMPTION : 3.5W
 DUTY CYCLE : CONTINUOUS
 COIL TEMPERATURE INCREASE : MAX. 80°C FROM ROOM TEMPERATURE
 INSULATION CLASS : CLASS B
 DIELECTRIC STRENGTH : 1500VAC FOR 60s

NOTE

MODEL NUMBER	VALVE BODY MATERIAL	PORT CONNECTION
CTV-3-M6RF-9	PPS	M6
CTV-3-M6KF-9	PEEK	M6
CTV-3-1/4URF-9	PPS	1/4-28UNF
CTV-3-1/4UKF-9	PEEK	1/4-28UNF



MOUNTING HOLE DETAILS



WETTED MATERIALS

△			4	DIAPHRAGM	PTFE	2	
△			3	SOFT SEAL	FPM	2	
△			2	STEM	Al ₂ O ₃	1	
SYM.	DATE	DESCRIPTION	1	VALVE BODY	PPS/PEEK	1	
REVISION			PART NO.	PART NAME	MATERIAL	REQD.	NOTE
SCALE	APPROVED	CHECKED	DRAWN	SOLENOID VALVE		DRAWING NO	
2/1				CTV-3-M6(1/4U)R(K)F-S9		12222-00-S	
A 3							